



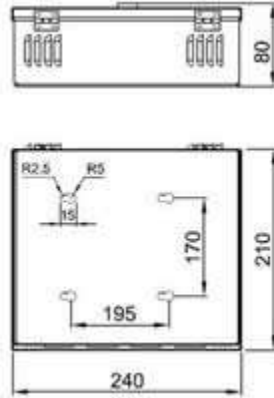
■ Features

- ✚ Six 12VDC individually fused outputs
- ✚ Circuit Short protection
- ✚ Uninterrupted Power Supply
- ✚ Individual LED's for each output
- ✚ Power ON/OFF switch
- ✚ Unit maintains camera synchronization
- ✚ Easy installation saves time and eliminates costly labor
- ✚ Spare fuses included
- ✚ 2 years warranty

■ Specification

Input Voltage	AC90-264V
Input Voltage Frequency	50/60Hz
Output Specification	
Output Voltage	12VDC+15%
Total Output Current	3A(500mA/output,6 channels for 6 sets security cameras)
Total Outputs	35W
Fuse Type	Glass Fuse
Fuse Rating	0.5Amps/250VAC
Protection	
General Protection	each output has individual fuse and LED indicator, when problem occurs,only affect the individual output, other outputs still working
Circuit Short Protection	when short condition occurs, individual fuse will open the circuit,when condition removed, replacing another new fuse will back to close.
Over-load protection	105-135%hiccup mode,auto-recovery
Over-voltage protection	115-135%,Shut down o/p voltage, re-power on to recover
UPS function	when power cut, it also could work by the mothball battery.
General Specifications	
Working temperature and humidity	-10℃~+60℃, 20%~80%RH
Store temperature and humidity	-20℃~+85℃,10%~90%RH
Application	
CCTV	Camera, PTZ, IR Illuminators, Video Process Equipment, etc.

■ Shape and installation dimension

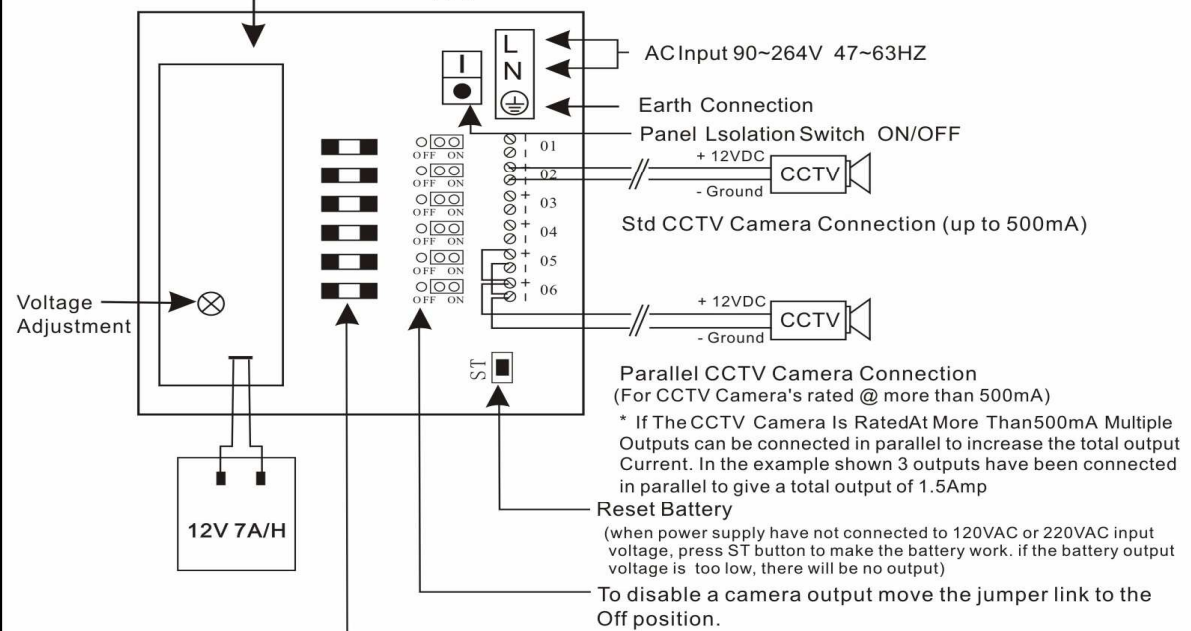


■ manual

12VDC 6 OUTPUT UPS SWITCH MODE CCTV POWER SUPPLY

MPS-035UPS-6C

Connection Diagram:
Switch Mode Power Supply



AC Input 90~264V 47~63HZ

Earth Connection

Panel Lsolation Switch ON/OFF

+ 12VDC

- Ground

Std CCTV Camera Connection (up to 500mA)

+ 12VDC

- Ground

Parallel CCTV Camera Connection
(For CCTV Camera's rated @ more than 500mA)

* If The CCTV Camera Is Rated At More Than 500mA Multiple Outputs can be connected in parallel to increase the total output Current. In the example shown 3 outputs have been connected in parallel to give a total output of 1.5Amp

Reset Battery
(when power supply have not connected to 120VAC or 220VAC input voltage, press ST button to make the battery work. if the battery output voltage is too low, there will be no output)

To disable a camera output move the jumper link to the Off position.

Protection Fuses
(Note: Fuses can be upgraded to 1 Amp if required providing total Power output does not exceed 3A)

12V 7A/H

Voltage Adjustment

OFF ON

OFF ON

OFF ON

OFF ON

OFF ON

OFF ON

OFF ON

OFF ON

01

02

03

04

05

06

ST

Test & Measurement:



To Determine The Current(A) Draw Of A Camera Remove The Jumper Link, Set Your Meter To  A / Amps DC, And With The Camera Connected Measure The Current Across The ON And COMMON Terminals.

Notice:

- 1 Red wire connect to the positive pole of the battery, black wire connect To the cathode of the battery
- 2 Outputs Voltage: 12V±15%



LED Fuse Status Indicator
LED ON = Fuse OK
LED OFF = Fuse Fault

Specifications:

Input Voltage: AC95~255V 47~63HZ
Output Current: 6x500mA Fused Outlets(3A Max)
Output Power: 35W
Dimensions (Mm): 270(L) X205(W) X77(H)

* For Indoor Use Only

Multiple View, More attention!